

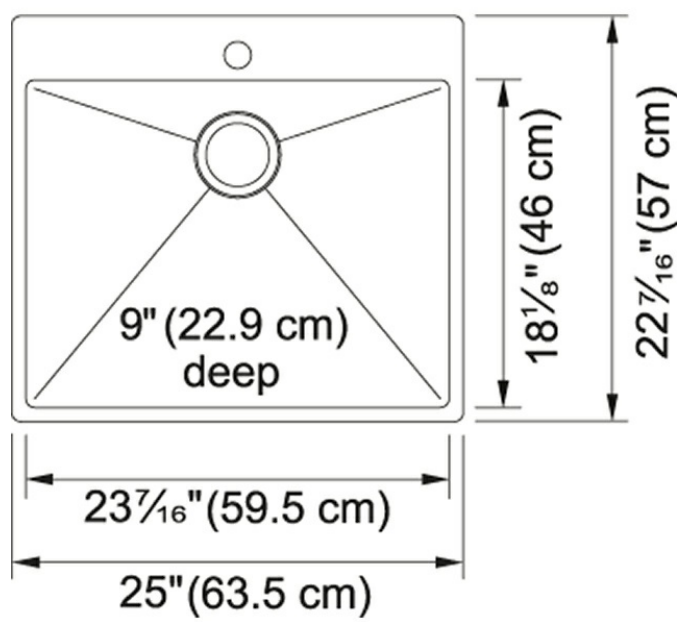
## Vector HFS2522-1 Stainless Steel

The sleek slim-rim design and minimal radius corners give the Vector series a professional look. Add in Franke's unique quick install system and you have yourself a real winner.

Product Picture



Technical Drawing



Product Dimensions

Length overall	22"
Depth Overall	9"
Length of large bowl	18"
Width of large bowl	24"
Depth of large bowl	9"
Minimum Cabinet Size	27"

General Information

Type of Material	18 Gauge Stainless Steel
Number of Bowls	1
Faucet Hole	1
Where to buy	Home Center

Article Numbers

FUN#	127.0371.975
US Part Number	HFS2522-1

